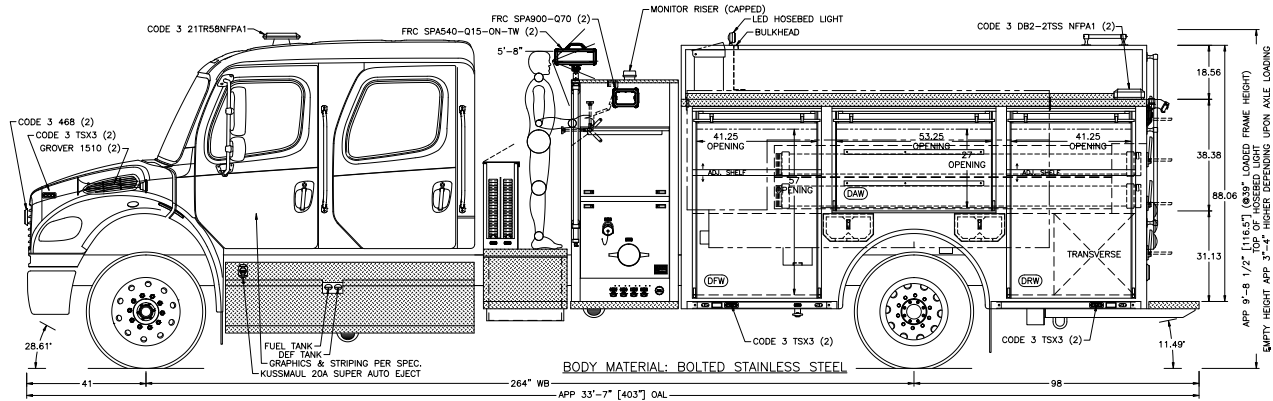
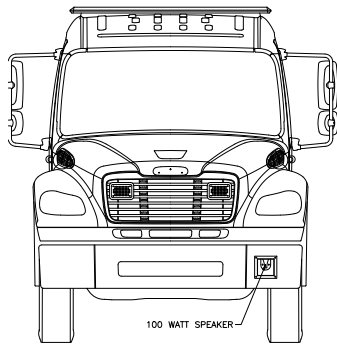
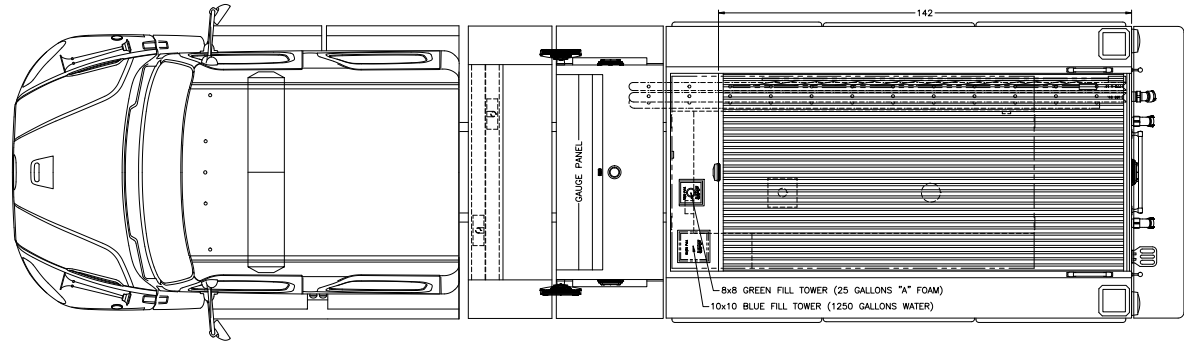


TREADBRITE TEXTURE NOT SHOWN IN TOP VIEW

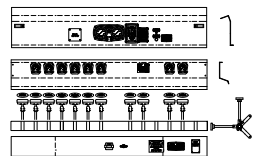
REFERENCE SCALE IN INCHES

COMP.	HEIGHT	WIDTH	USABLE DEPTH		DIVIDE HEIGHT	FT*
			UPPER	LOWER		
DFW	67.12	47.88	14	26	28	35.35
DAW	37.12	63.75	14	-	-	19.18
DRW	67.12	44.00	14	26	28	32.49
PFW	67.12	47.88	14	26	28	35.35
PAW	37.12	63.75	14	-	-	19.18
FRW	67.12	44.00	14	26	28	32.49
R-1	70.12	44.00	-	30	-	53.56
HOSEBED	14	68	-	142	-	78.23
FRONT XRAY	25.75	4.62	-	73.75	-	5.08
REAR XRAY	25.75	4.62	-	73.75	-	5.08

LOCATION TO BE DETERMINED:  
 SINGLE SHELF TRUCK (4 COMPARTMENTS)  
 12" DEEP ADJUSTABLE SHELF (4)  
 SCBA BRACKET (2)



**NOTE:**  
 DIMENSIONS SHOWN ARE APPROXIMATE AND ARE SUBJECT TO MINOR CHANGE AS MAY BE FOUND NECESSARY DURING CONSTRUCTION. MINOR DETAILS MAY NOT BE SHOWN. IF DISCREPANCIES EXIST BETWEEN THIS DRAWING AND THE WRITTEN SPECIFICATIONS PROVIDED BY TOYNE, THE WRITTEN SPECIFICATIONS SHALL PREVAIL.



ORIGINAL DRAWING	18JAN17	CHASSIS:	FREIGHTLINER M2-106 CREWCAB	SCALE:	1/66	SHEET:	A
		WB-CA-AF:	264"-151.2"-47" D16	CITY:	DEMO		
		BODY MATL:	BOLTED STAINLESS STEEL	STATE:	DEMO		
		PUMP:	HALE QFLO 1250	DLR:	?		
		TANK:	1250/25 UPF POLY-TANK III	CAD:	KOSTER		
		FOAM SYSTEM:	PRE-PIPED	DATE:	18 JAN 2017		
		GENERATOR:	N/A	FILE:	11971 DEMO M2-A		

BREA, IA 51436  
 800-648-3358  
 WWW.TOYNE.COM

**11971 DEMO M2**  
 COMMERCIAL PUMPER