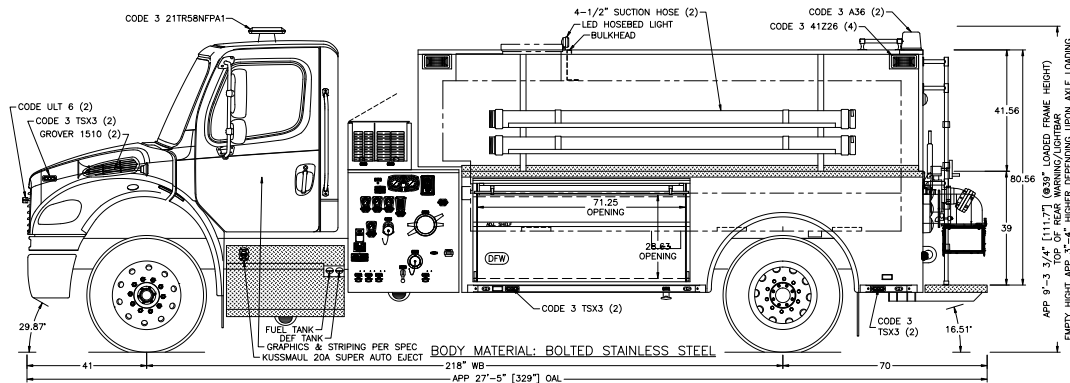
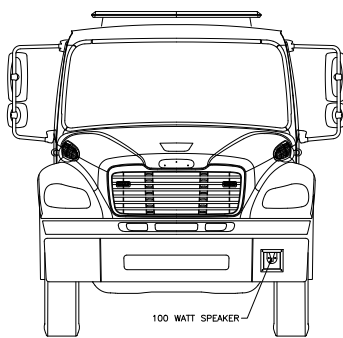
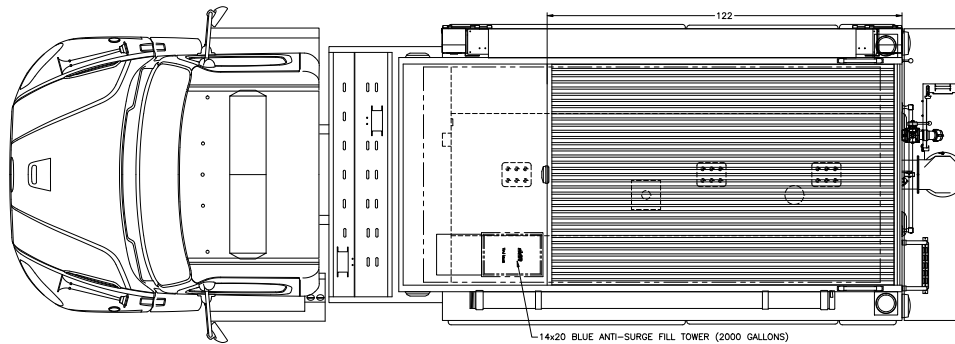


TREADBRITE TEXTURE NOT SHOWN IN TOP VIEW

REFERENCE SCALE IN INCHES

COMP.	HEIGHT	WIDTH	USABLE DEPTH		DIVIDE	FT
			UPPER	LOWER		
DFW	36.62	77.88	10	26	28	36.69
PFW	36.62	77.88	10	26	28	36.69
HOSEBED	9	76	-	172	-	48.79
FRONT XLAY	13	7.5	-	88	-	4.97
REAR XLAY	13	11	-	88	-	7.28



NOTE:
 DIMENSIONS SHOWN ARE APPROXIMATE AND ARE SUBJECT TO MINOR CHANGE AS MAY BE FOUND NECESSARY DURING CONSTRUCTION. MINOR DETAILS MAY NOT BE SHOWN. IF DISCREPANCIES EXIST BETWEEN THIS DRAWING AND THE WRITTEN SPECIFICATIONS PROVIDED BY TOYNE, THE WRITTEN SPECIFICATIONS SHALL PREVAIL.

ORIGINAL DRAWING	31JAN17	CHASSIS:	FREIGHTLINER M2-106	SCALE:	1/66	SHEET:	A
		WB-CA-AF:	218"-152.4"-47" D16	CITY:	NA		
		BODY MATL:	BOLTED STAINLESS STEEL	STATE:	NA		
		PUMP:	HALE MBP 750 PTO	DLR:	TOY		
		TANK:	2000 UPF POLY-TANK III	CAD:	KOSTER		
		FOAM SYSTEM:	N/A	DATE:	31 JAN 2017		
		GENERATOR:	N/A	FILE:	11977 DEMO M2-A		


 Breda, IA 51436
 800-648-3358
 WWW.TOYNE.COM
11977 DEMO M2
 HQRP TANKER