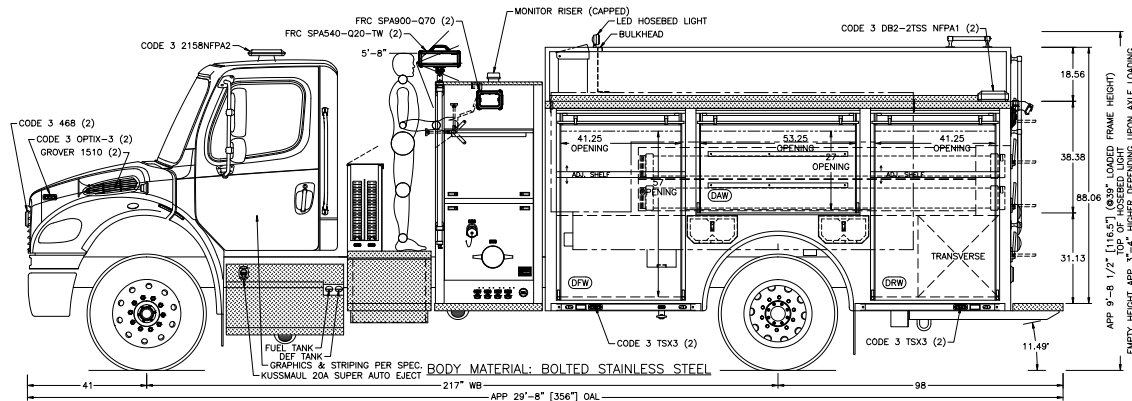
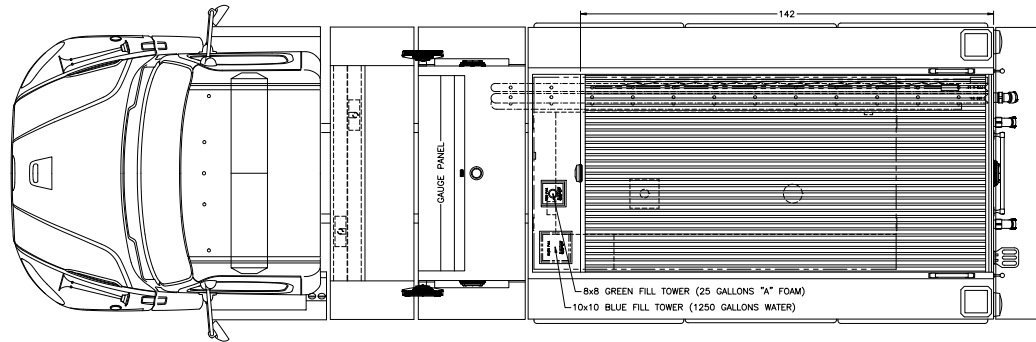


TREADBRITE TEXTURE NOT SHOWN IN TOP VIEW

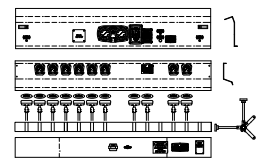
REFERENCE SCALE IN INCHES

COMP.	HEIGHT	WIDTH	USABLE DEPTH		DIVIDE HEIGHT	FT
			UPPER	LOWER		
DFW	67.12	47.88	14	26	28	35.35
DAW	37.12	63.75	14	-	-	19.18
DRW	67.12	44.00	14	26	28	32.49
PFW	67.12	47.88	14	26	28	35.35
PAW	37.12	63.75	14	-	-	19.18
FRW	67.12	44.00	14	26	28	32.49
R-1	70.12	44.00	-	30	-	53.56
HOSEBED	14	68	-	142	-	78.23
FRONT X-LAY	25.75	4.62	-	73.75	-	5.08
REAR X-LAY	25.75	4.62	-	73.75	-	5.08

LOCATION TO BE DETERMINED:
 SINGLE SHELF TRACK (4 COMPARTMENTS)
 12" DEEP ADJUSTABLE SHELF (4)
 SCBA BRACKET (2)



NOTE:
 DIMENSIONS SHOWN ARE APPROXIMATE AND ARE SUBJECT TO MINOR CHANGE AS MAY BE FOUND NECESSARY DURING CONSTRUCTION. MINOR DETAILS MAY NOT BE SHOWN. IF DISCREPANCIES EXIST BETWEEN THIS DRAWING AND THE WRITTEN SPECIFICATIONS PROVIDED BY TOYNE, THE WRITTEN SPECIFICATIONS SHALL PREVAIL.



ORIGINAL DRAWING	05SEP17	CHASSIS:	FREIGHTLINER M2-106	SCALE:	1/66	SHEET:	A
C/O #1	15SEP17	WB-CA-AF:	217"-151.4"-47" D16	CITY:	DEMO		
		BODY MATL:	BOLTED STAINLESS STEEL	STATE:	DEMO		
		PUMP:	HALE QFLO 1250	DLR:	?		
		TANK:	1250/25 UPF POLY-TANK III	CAD:	KOSTER		
		FOAM SYSTEM:	PRE-PIPED	DATE:	15 SEP 2017		
		GENERATOR:	N/A	FILE:	12163 DEMO M2-A		

Toyne
Built to take the call.

BREDA, IA 51436
 800-648-3358
 WWW.TOYNE.COM

12163 DEMO M2
 COMMERCIAL PUMPER