

Quotation

	Description
0100-016 MODEL	Metro Star-X
8012-019 CUSTOMERS / OEMS	Toyne (TOY1000)[1002914]
8011-017 MODEL YEAR	Model Year - 2017
8001-001 COUNTRY OF SERVICE	Country of Service United States Of America
8017-001 CAB AND CHASSIS LABELING LANGUAGE	Cab and Chassis Labeling Language English
8006-009 APPARATUS TYPE	Apparatus Type Pumper
8008-001 VEHICLE TYPE	Vehicle Type Straight Truck
0104-001 AXLE CONFIGURATION	Axle Configuration 4x2 (Rear Axle Drive Only)
0101-003 GROSS AXLE WEIGHT RATINGS FRONT	GAWR Front 20000#
0102-004 GROSS AXLE WEIGHT RATINGS REAR	GAWR Rear 27000#
8010-002 PUMP PROVISION	Pump Provision Driveline Midship
8009-013 WATER & FOAM TANK CAPACITY	Water & Foam Tank Capacity 750 to 1250 Gallons
1000-004 CAB STYLE	Cab Style MFD 10" Raised Roof
8101-103 OCCUPANT PROTECTION	Occupant Protection Advanced Protection System
1501-002 CAB FRONT FASCIA	Cab Frt Fascia Classic
1518-025 FRONT GRILLE	Cab Frt Grille Hinged Classic Styled
1551-002 CAB UNDERCOAT	Cab Undercoat
1552-002 CAB SIDE DRIP RAIL	Cab Side Drip Rail
1521-002 CAB PAINT EXTERIOR	Cab Paint Exterior Two Tone
1533-001 CAB PAINT MANUFACTURER	Cab Paint Manufacturer PPG
1522-080 CAB PAINT PRIMARY/LOWER COLOR	Cab Paint Primary/Lower Color PPG Red FBCH 71528
1523-244 CAB PAINT SECONDARY/UPPER COLOR	Cab Paint Sec/Upper Color PPG White FBCH 2185
1524-002 CAB PAINT EXTERIOR BREAKLINE	Cab Paint Exterior Breakline Classic
1515-005 CAB PAINT PINSTRIPE	Cab Paint Pinstripe 1/2" Black Temporary
8013-036 CAB PAINT WARRANTY	Cab Paint Warranty 2017 (10) Year/100,000 Miles
1334-039 CAB PAINT INTERIOR	Cab Paint Int Multi-tone Onyx Blk
1005-001 CAB ENTRY DOORS	Cab Entry Doors (4)
1101-001 CAB ENTRY DOOR TYPE	Cab Entry Door Type Full Length
1322-002 CAB INSULATION	Cab Insulation
8004-023 CAB STRUCTURAL WARRANTY	Cab Structural Warranty 2017 (10) Year/100,000 Miles
9001-006 CAB TEST INFORMATION	Cab Test Information Crash Test ECE-R29/SAE J2420/SAE J2422
5000-001 ELECTRICAL SYSTEM	Elec System 12V DC
5622-010 DATA RECORDING SYSTEM	Data Recording Sys Vehicle Data Weldon w/Remote USB Data Link
5031-006 ACCESSORY POWER	Accessory Pwr & Gnd Stud 40A Batt Dir & 225A Batt Dir
5011-001 EXTERIOR ELECTRICAL TERMINAL COATING	Exterior Electrical Terminal Coating Spray On Plasti Dip
1701-146 ENGINE	Engine Diesel 450HP Cummins ISL9 - EPA 2013
1329-001 CAB ENGINE TUNNEL	Cab Engine Tunnel Small/Medium
1731-002 DIESEL PARTICULATE FILTER CONTROLS	DPF Ctrl Regeneration Sw & Inhibit Sw
1718-002 ENGINE PROGRAMMING HIGH IDLE	Engine Programming High Idle Speed 1250 RPM

SPEED

1719-002	ENGINE HIGH IDLE CONTROL	Engine High Idle Ctrl Manual
1710-001	ENGINE PROGRAMMING ROAD SPEED GOVERNOR	Engine Programming Road Speed Governor Enabled
1713-010	AUXILIARY ENGINE BRAKE	Aux Engine Brake Compression Brake w/VG Turbo
1708-004	AUXILIARY ENGINE BRAKE CONTROL	Aux Engine Brake Ctrl On/Off & Low/Med/High Sw Pnl
1720-003	ELECTRONIC ENGINE OIL LEVEL INDICATOR	Elec Engine Oil Level Indicator
1715-001	FLUID FILLS	Fluid Fills Fwd For Med Displacement Cap
8002-001	ENGINE WARRANTY	Engine Warranty Cummins (5) Year/100,000 Miles
1707-128	REMOTE THROTTLE HARNESS	Rmt Throttle Harness PSG FRC INControl 300/400 Side Mnt Shift Interlock
1721-001	ENGINE PROGRAMMING REMOTE THROTTLE	Engine Program Rmt Throttle Off
1727-001	ENGINE PROGRAMMING IDLE SPEED	Engine Programming Idle Speed 700 RPM
2704-010	ENGINE FAN DRIVE	Engine Fan Drive Clutch Engaged in A/C Mode
2701-010	ENGINE COOLING SYSTEM	Engine Cooling Sys Serial Flow Medium
2711-005	ENGINE COOLING SYSTEM PROTECTION	Engine Cooling System Protection Light Duty Skid Plate Paint Frame Color
2708-001	ENGINE COOLANT	Engine Coolant Extended Life
2706-003	ELECTRONIC COOLANT LEVEL INDICATOR	Elec Low Coolant Level Indicator
2705-002	ENGINE PUMP HEAT EXCHANGER	Engine Pump Heat Exchanger
2709-004	COOLANT HOSES	Coolant Hoses Silicone Heater & Radiator w/Cab Int Rubber Hoses
2801-009	ENGINE AIR INTAKE	Engine Air Intake Filtration and Restriction w/SS Housing & Replaceable Element
2802-003	AIR INTAKE PROTECTION	Air Intake Protection Light Duty Skid Plate Painted Frame Color
2901-030	ENGINE EXHAUST SYSTEM	Eng Exhaust Sys Under Frm RH Fwd Outboard w/DPF/SCR Inline
2907-003	DIESEL EXHAUST FLUID TANK	Diesel Exhaust Fluid Tank LH 6 Gal Fill Thru Rr Step
2902-010	ENGINE EXHAUST ACCESSORIES	Engine Exh Acc Exh Temp Mitigation
2906-002	ENGINE EXHAUST WRAP	Engine Exhaust Wrap
1801-015	TRANSMISSION	Transmission Allison 3000 EVS
1806-004	TRANSMISSION MODE PROGRAMMING	Transmission Mode Programming 6th Startup/6th Mode
1811-004	TRANSMISSION FEATURE PROGRAMMING	Transmission Feature Programming Allison Gen V-E I/O Package 198/Pumper
1815-002	ELECTRONIC TRANSMISSION OIL LEVEL INDICATOR	Elec Transmission Oil Level Indicator
1807-005	TRANSMISSION SHIFT SELECTOR	Transmission GEN V-E Shift Sel Key Pad/Push Button
1814-002	TRANSMISSION PRE-SELECT WITH AUXILIARY BRAKE	2nd Gear Pre-Select
1808-007	TRANSMISSION COOLING SYSTEM	Transmission Cooling System
8005-001	TRANSMISSION WARRANTY	Transmission Warranty Allison (5) Year
2005-009	PTO LOCATION	PTO Location 8:00/4:00
3001-001	DRIVELINE	Driveline Spicer 1710 HD
3005-002	MIDSHIP PUMP / GEARBOX	Midship Pump Jackshaft Only
3008-054	MIDSHIP PUMP / GEARBOX MODEL	Midship Pump/Gearbox Model Hale QMAX
3048-004	MIDSHIP PUMP GEARBOX DROP	Midship Pump Gearbox Drop Hale "L"

3009-020	MIDSHIP PUMP RATIO	Midship Pump Ratio 2.28:1 (23)
3010-1015	MIDSHIP PUMP LOCATION C/L SUCTION TO C/L REAR AXLE	Midship Pump Location C/L Suction to C/L Rear Axle 101.5"
3109-021	FUEL FILTER/WATER SEPARATOR	Fuel Filter/Wtr Separator Fleetguard FS1003 w/Lt & Alarm
3111-001	FUEL LINES	Fuel Lines Nylon
3103-008	ELECTRIC FUEL PRIMER	Electric Fuel Primer Engine Sply Electric Lift Pump
3101-101	FUEL TANK	Fuel Tank 50 Gallon
3130-001	FUEL TANK MATERIAL AND FINISH	Fuel Tank Material Steel & Finish Painted Frame Color
3131-001	FUEL TANK STRAP MATERIAL	Fuel Tank Strap Material Steel
3102-007	FUEL TANK FILL PORT	Fuel Tank Fill Port LH Rwd/RH Mid
3115-001	FUEL TANK DRAIN PLUG	Fuel Tank Drain Plug
2401-003	FRONT AXLE	Frt Axle Meritor MFS 20000# Beam
8059-013	FRONT AXLE WARRANTY	Front Axle Warranty Meritor 2017
2405-001	FRONT WHEEL BEARING LUBRICATION	Frt Wheel Bearing Lube Oil
2502-002	FRONT SHOCK ABSORBERS	Frt Shock Absorbers Bilstein
2501-006	FRONT SUSPENSION	Frt Suspension 9 Leaf 20000-21500#
2601-006	STEERING COLUMN/WHEEL	Steering Column/Wheel Tilt/Telescopic 18" 4 Spoke
2609-002	ELECTRONIC POWER STEERING FLUID LEVEL INDICATOR	Elec Power Steering Fluid Level Indicator
2603-001	POWER STEERING PUMP	Power Steering Pump TRW
2606-009	FRONT AXLE CRAMP ANGLE	Front Axle Cramp Angle 48L/44R Degrees
2610-003	POWER STEERING GEAR	Power Steering Gear TRW TAS 65 w/Assist
2608-001	CHASSIS ALIGNMENT	Chassis Alignment
3401-003	REAR AXLE	Rear Axle 27000# Meritor RS-25-160
8061-010	REAR AXLE WARRANTY	Rear Axle Warranty Meritor 2017
3403-001	REAR AXLE DIFFERENTIAL LUBRICATION	Rear Axle Differential Lubrication Oil
3411-001	REAR WHEEL BEARING LUBRICATION	Rear Wheel Bearing Lubrication Oil
3408-008	VEHICLE TOP SPEED	Vehicle Top Speed 68 MPH
3501-032	REAR SUSPENSION	Rear Susp Reyco 79KB Spring 21000-31500# Conventional
3601-038	FRONT TIRE	Frt Tire 315/80R 22.5 Goodyear G289 WHA
3602-043	REAR TIRE	Rear Tire 12R 22.5 Goodyear G622 RSD
3413-563	REAR AXLE RATIO	Rear Axle Ratio 5.63
3614-012	TIRE PRESSURE INDICATOR	Tire Pressure Ind Frt & Rr Dial Voucher
3701-036	FRONT WHEEL	Frt Wheel Alcoa LvL One 22.5 x 9.00 Alum
3703-027	REAR WHEEL	Rr Whl Alcoa LvL One 22.5 x 8.25 Alum
3205-012	BRAKE SYSTEM	Brake System ABS/ATC/ESC Sgl Axle
3206-001	FRONT BRAKES	Frt Brakes S-Cam Drum 16.5" x 6"
3207-005	REAR BRAKES	Rr Brakes S-Cam Drum 16.5" x 7" Cast Iron Shoe
3208-001	PARK BRAKE	Prk Brake Rr Wheels Only
3204-002	PARK BRAKE CONTROL	Prk Brake Ctrl Ctr Tunnel Mnt
3213-001	FRONT BRAKE SLACK ADJUSTERS	Frt Brake Slack Adjusters Meritor
3214-001	REAR BRAKE SLACK ADJUSTERS	Rr Brake Slack Adjusters Meritor
3202-005	AIR DRYER	Air Dryer Wabco System Saver 1200 Bhd LH Batt Box
3215-001	FRONT BRAKE CHAMBERS	Frt Brake Chambers MGM Type 30

3210-015	REAR BRAKE CHAMBERS	Rr Brake Chambers TSE 30/36 Long Stroke
3320-001	AIR COMPRESSOR	Air Compressor Wabco SS318 18.7 CFM
3339-004	AIR GOVERNOR	Air Governor Mnt on Air Dryer Bracket
3303-001	MOISTURE EJECTORS	Moisture Ejectors Manual
3307-001	AIR SUPPLY LINES	Air Sply Lines Nylon
3334-003	AIR TANK SPACERS	Air Tank Spacers Inboard 3.0"
2103-1820	WHEELBASE	Wheelbase 182.0"
2106-0470	REAR OVERHANG	Rear Overhang 47.0"
2101-002	FRAME	Frame Double Channel 35.00" Width
8007-019	FRAME WARRANTY	Frame Warranty Lifetime 2017
2110-101	FRAME PAINT	Frame Paint Powder Coat Black
2201-001	FRONT BUMPER	Frt Bumper Stainless Steel Flat
2202-006	FRONT BUMPER EXTENSION LENGTH	Frt Bumper Extension Length 24"
2215-002	FRONT BUMPER SUCTION PROVISION	Frt Bumper Suction Provision 5.0" RH Vertical Outboard
2208-007	FRONT BUMPER APRON	Frt Bumper Apron For 24" Extension
2211-002	FRONT BUMPER COMPARTMENT CENTER	Frt Bumper Cmpt Ctr
5501-020	AIR HORN	Air Horn (2) 21" Round Hadley E-Tone
2216-004	AIR HORN LOCATION	Air Horn Location (2) Frt Bmpr Face LH
2232-002	AIR HORN RESERVOIR	Air Horn Reservoir (1) 1200 Cu In
5504-067	ELECTRONIC SIREN SPEAKER	Elect Siren Speaker 100W Whelen SP123BMC
2217-005	ELECTRONIC SIREN SPEAKER LOCATION	Elec Siren Speaker Location Frt Bmpr Face RH OB
2203-002	FRONT BUMPER TOW HOOKS	Frt Bumper Tow Hooks Painted Below Fwd
2301-001	CAB TILT SYSTEM	Cab Tilt System
2305-001	CAB TILT CONTROL RECEPTACLE	Cab Tilt Ctrl Receptacle Temp
1401-009	CAB WINDSHIELD	Cab Windshield
1402-005	GLASS FRONT DOOR	Glass Frt Dr Roll Down/XDuty Regulator
1407-001	GLASS TINT FRONT DOOR	Glass Tint Frt Dr Automotive Green
1419-012	GLASS REAR DOOR RIGHT HAND	Glass Rr Dr RH Roll Down/XDuty Regulator
1430-001	GLASS TINT REAR DOOR RIGHT HAND	Glass Tint Rr Door RH Automotive Green
1412-013	GLASS REAR DOOR LEFT HAND	Glass Rr Dr LH Roll Down/XDuty Regulator
1431-001	GLASS TINT REAR DOOR LEFT HAND	Glass Tint Rr Door LH Automotive Green
1410-003	GLASS SIDE MID RIGHT HAND	Glass Side Mid RH Fxd 16"W x 26"H
1432-001	GLASS TINT SIDE MID RIGHT HAND	Glass Tint Side Mid RH Automotive Green
1409-003	GLASS SIDE MID LEFT HAND	Glass Side Mid LH Fxd 16"W x 26"H
1433-001	GLASS TINT SIDE MID LEFT HAND	Glass Tint Side Mid LH Automotive Green
1614-101	CLIMATE CONTROL	Climate Ctrl Htr Defroster Frt Ovrhd/Htr A/C Tunnel Mnt
1632-002	CLIMATE CONTROL DRAIN	Climate Control Drain Gravity
1617-101	CLIMATE CONTROL ACTIVATION	Climate Ctrl Actv Device Mnt Ovrhd/Device Mnt Tunnel
1603-003	A/C CONDENSER LOCATION	A/C Condenser Location Roof Mnt Fwd Ctr
1601-001	A/C COMPRESSOR	A/C Compressor Large Capacity
1530-001	UNDER CAB INSULATION	Under Cab Insulation Engine Tunnel
1327-001	INTERIOR TRIM FLOOR	Interior Trim Floor
1302-001	INTERIOR TRIM	Interior Trim Vinyl

1368-002	REAR WALL INTERIOR TRIM	Rear Wall Interior Trim Vinyl
1306-001	HEADER TRIM	Header Trim ABS
1305-001	TRIM CENTER DASH	Trim Center Dash ABS
1339-101	TRIM LEFT HAND DASH	Trim LH Dash ABS
1321-001	TRIM RIGHT HAND DASH	Trim RH Dash ABS Glove Cmpt/MDT Prov
1307-002	ENGINE TUNNEL TRIM	Eng Tnl Trim Flr Mat
5040-007	POWER POINT DASH MOUNT	Pwr Pnt Dash Mnt Mstr Sw (2)
1303-017	STEP TRIM	Step Trim Grip Strut Lwr Flex-Tred Mid
1379-003	UNDER CAB ACCESS DOOR	Under Cab Access Door Rear Step LH Painted
1102-013	INTERIOR DOOR TRIM	Interior Door Trim Painted
1323-001	DOOR TRIM CUSTOMER NAMEPLATE	Door Trim Customer Nameplate
1105-001	CAB DOOR TRIM REFLECTIVE	Cab Dr Trim Reflective Vert Stripe/6" Chevron w/Logo
1308-001	INTERIOR GRAB HANDLE "A" PILLAR	Interior Grab Handle 'A' Pillar 11" Molded
1332-008	INTERIOR GRAB HANDLE FRONT DOOR	Interior Grab Handle Frt Door Horiz 9"
1345-002	INTERIOR GRAB HANDLE REAR DOOR	Int Grab Handle Rr Dr Alum Window Span 30" Black Powder Coat
1301-003	INTERIOR SOFT TRIM COLOR	Interior Soft Trim Color Gray
1337-001	INTERIOR TRIM SUNVISOR	Interior Trim Sunvisor Vinyl
1318-003	INTERIOR ABS TRIM COLOR	Interior ABS Trim Color Gray
1304-001	INTERIOR FLOOR MAT COLOR	Interior Floor Mat Color Gray
1335-018	CAB PAINT INTERIOR DOOR TRIM	Cab Paint Int Dr Trim Multi-tone Onyx Black
1344-002	DASH PANEL GROUP	Dash Pnl Group 3-Pnl
1312-005	SWITCHES CENTER PANEL	Switches Ctr Pnl 12 Upr
1313-014	SWITCHES LEFT PANEL	Switches Left Pnl 8 Upper w/Headlight/Dimmer/Wiper
1314-009	SWITCHES RIGHT PANEL	Switches Right Pnl 3 Far RH Ctr
1225-018	SEAT BELT WARNING	Seat Belt Warn Indv Seat Loc & LED Display w/VDR Weldon
1237-001	SEAT MATERIAL	Seat Material Ballistic
1243-001	SEAT COLOR	Seat Color Gray/Red Seat Belts
1249-126	SEAT BACK LOGO	Seat Back Logo Toyne
1201-006	SEAT DRIVER	Seat Driver Bostrom Firefighter 4-Way Air Non-ABTS
1213-015	SEAT BACK DRIVER	Seat Back Driver Non-SCBA Non-ABTS
1219-001	SEAT MOUNTING DRIVER	Seat Mounting Driver
8102-103	OCCUPANT PROTECTION DRIVER	Occupant Protection Driver Advanced Protection System
1202-005	SEAT OFFICER	Seat Officer Bostrom Firefighter 2-Way Manual ABTS
1214-030	SEAT BACK OFFICER	Seat Back Officer SCBA Bostrom SecureAll w/Quick-Adjust
1220-002	SEAT MOUNTING OFFICER	Seat Mounting Officer
8103-103	OCCUPANT PROTECTION OFFICER	Occupant Protection Officer Advanced Protection System
1273-001	SEAT BELT ORIENTATION CREW	Seat Belt Orientation Crew Outboard Shoulder To Inboard Hip
1263-001	SEAT REAR FACING OUTER LOCATION	Seat RFO Location (2) R/L
1203-009	SEAT CREW REAR FACING OUTER	Seat Crew RFO Bostrom Firefighter Fixed
1215-027	SEAT BACK REAR FACING OUTER	Seat Back RFO SCBA Bostrom SecureAll w/Quick-Adjust
1221-002	SEAT MOUNTING REAR FACING OUTER	Seat Mounting Rear Facing Outer
8104-103	OCCUPANT PROTECTION RFO	Occupant Protection RFO Advanced Protection System
1266-001	SEAT FORWARD FACING CENTER LOCATION	Seat FFC Location (2) Ctr

1206-012	SEAT CREW FORWARD FACING CENTER	Seat Crew FFC Bostrom Firefighter Flip-Up
1218-031	SEAT BACK FORWARD FACING CENTER	Seat Back FFC SCBA Bostrom SecureAll w/Quick-Adjust
8107-102	OCCUPANT PROTECTION FFC	Occupant Protection FFC Advanced Protection System
1269-101	SEAT FRAME FORWARD FACING	Seat Frm Fwd Fcg Dual
1281-101	SEAT FRAME FORWARD FACING STORAGE ACCESS	Seat Frm Fwd Fcg Strg Acc Dr (2) R/L Sd
1224-002	SEAT MOUNTING FORWARD FACING CENTER	Seat Mounting Forward Facing Center
1311-101	CAB FRONT UNDERSEAT STORAGE ACCESS DOOR	Cab Frt Undrst Strg Acc Dr
1355-023	SEAT COMPARTMENT DOOR FINISH	Seat Compartment Door Finish Multi-tone Onyx Black
1511-003	WINDSHIELD WIPER SYSTEM	Windshield Wiper System Single Motor
1534-002	ELECTRONIC WINDSHIELD FLUID LEVEL INDICATOR	Electronic Windshield Fluid Level Indicator
1103-002	CAB DOOR HARDWARE	Cab Door Hardware Black
1111-001	DOOR LOCKS	Door Locks Manual
1503-002	GRAB HANDLES	Grab Handles SS 18"
1504-013	REARVIEW MIRRORS	Mirror Aerodynamic Retrac 613275 Rmt Htd
1529-002	REARVIEW MIRROR HEAT SWITCH	Rearview Mirror Heat Sw Pnl
1513-002	CAB FENDER	Cab Fender Alum
1526-021	CAB EXTERIOR FRONT & SIDE EMBLEMS	Cab Ext Frt & Side Emblems Spartan w/APS
5109-001	IGNITION	Ign Mstr Sw w/Keyless Start
5101-021	BATTERY	Batt (6) Group 31 Harris
5106-003	BATTERY TRAY	Batt Tray (2) R/L Steel
5107-007	BATTERY BOX COVER	Batt Box Cover (2) Steel w/Black Handles
5102-001	BATTERY CABLE	Batt Cables
5108-002	BATTERY JUMPER STUD	Batt Jumper Stud Frt LH Lwr Step
5104-001	ALTERNATOR	Alternator Leece-Neville 270A
5202-024	BATTERY CONDITIONER	Batt Cond Kussmaul 1200 P/P LH RFO Seat Position
5203-002	BATTERY CONDITIONER DISPLAY	Batt Cond Display LH Mid Glass
3314-005	AUXILIARY AIR COMPRESSOR	Aux Air Cmp Kussmaul 12V Bhd Drv Seat
5204-054	ELECTRICAL INLET	Elec Inlet 120V 20A
5209-002	ELECTRICAL INLET LOCATION	Elec Inlet Location LH Cab Side Mid
5210-004	ELECTRICAL INLET CONNECTION	Elec Inlet Conn to Batt Conditioner
5206-002	ELECTRICAL INLET COLOR	Elec Inlet Color Yellow
5301-100	HEADLIGHTS	Headlights 4 Headlamps Halogen
5303-004	FRONT TURN SIGNALS	Frnt Turn Signals Whelen 600 LED
5337-001	HEADLIGHT LOCATION	Headlights Below Frnt Warn Lts
5336-003	SIDE TURN/MARKER LIGHTS	Side Turn/Marker Lts LED
5302-003	MARKER & ICC LIGHTS	Marker & ICC Lts Face Mnt LED
5350-050	HEADLIGHT AND MARKER LIGHT ACTIVATION	Hdlt & Mrkr Lt Actv Rkr Sw/DRL
5308-004	GROUND LIGHTS	Ground Lts LED Resp Dr & Rkr Sw
5309-003	LOWER CAB STEP LIGHTS	Lwr Cab Step Lts LED
5382-002	INTERMEDIATE STEP LIGHTS	Intermediate Step Lts LED

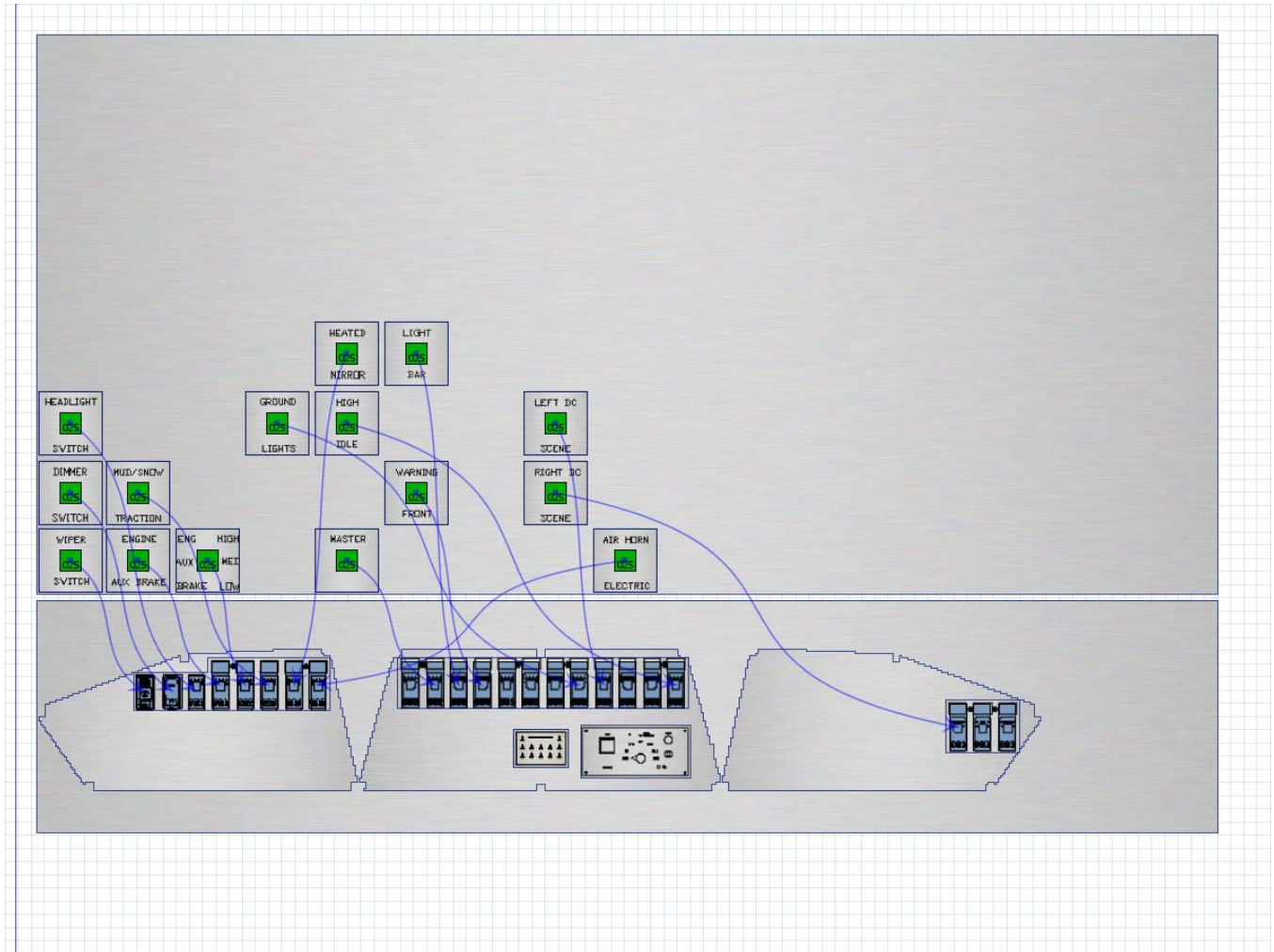
5312-003	ENGINE COMPARTMENT LIGHT	Engine Cmpt Work Lt LED (1)
5403-002	LIGHTBAR PROVISION	Lightbar Prov Prewire Jct Box Customer Inst LH
5450-318	CAB FRONT LIGHTBAR	Cab Frt Ltbar Whelen Freedom F4 60"/72" w/LH Cable Exit
5426-002	LIGHTBAR SWITCH	Lightbar Sw Pnl
5306-065	SIDE SCENE LIGHTS	Side Scene Lts Whelen 900 12V Super 24 LED Clear Gradient
5318-006	SIDE SCENE LIGHT LOCATION	Side Scene Lt Loc Upper Mid Fwd 10" Roof Position
5316-003	SIDE SCENE ACTIVATION	Side Scene Actv Indv Sw
5305-166	INTERIOR OVERHEAD LIGHTS	Interior Overhead Lts Weldon LED w/Front Map Lts
5406-076	DO NOT MOVE APPARATUS LIGHT	Do Not Move App Lt Flashing Red Whelen Ion LED w/Alarm
5422-001	MASTER WARNING SWITCH	Mstr Warn Sw Pnl
5401-002	INBOARD FRONT WARNING LIGHTS	Inboard Frt Warn Lts Whelen 600 LED Chrm Bezel
5413-002	INBOARD FRONT WARNING LIGHTS COLOR	Inboard Frt Warn Lts Color Red
5423-007	FRONT WARNING SWITCH	Frt Warn Sw Pnl
5404-002	INTERSECTION WARNING LIGHTS	Intersection Warn Lts Whelen 600 Super LED
5419-002	INTERSECTION WARNING LIGHTS COLOR	Int Warn Lts Color Red
5420-002	INTERSECTION WARNING LIGHTS LOCATION	Intersection Warn Lts Location Bumper Tail Rwd
5402-002	SIDE WARNING LIGHTS	Side Warn Lts Whelen 600 Super LED
5418-002	SIDE WARNING LIGHTS COLOR	Side Warn Lts Color Red
5412-002	SIDE WARNING LIGHTS LOCATION	Side Warn Lts Location Lwr Mid
5424-004	SIDE AND INTERSECTION WARNING SWITCH	Side & Intersection Warn Sw On w/Mstr Warn
5510-004	SIREN CONTROL HEAD	Siren Ctrl Head Whelen 295HFS2
5514-002	HORN BUTTON SELECTOR SWITCH	Horn Btn Sel Sw Elec Horn/Air Horn
5512-003	AIR HORN ACTIVATION	Air Horn Actv Strg Whl/RH Ft Sw
5505-002	BACK-UP ALARM	Back-Up Alarm Ecco 575
5601-041	INSTRUMENTATION	Instrumentation Standard
5624-001	BACKLIGHTING COLOR	Backlighting Color Red
5701-003	RADIO	Radio Panasonic WB/AM/FM/CD Ovrhd LH
5707-002	AM/FM ANTENNA	AM/FM Antenna LH Fwd Cab Roof
5020-001	PANEL LAYOUT	Panel Layout
8814-002	CAB EXTERIOR PROTECTION	Cab Exterior Protection Front
8806-001	FIRE EXTINGUISHER	Fire Extinguisher Ship Loose
8810-001	DOOR KEYS	Door Keys for Manual Locks (4)
8811-003	DIAGNOSTIC SOFTWARE OCCUPANT PROTECTION	Diagnostic Software Occupant Protection Advanced Protection System
8003-140	WARRANTY	Warranty Cab and Chassis 2017 (2) Year
8030-006	CHASSIS OPERATION MANUAL	Chassis Operation Manual Digital Copy (2)
8031-024	ENGINE & TRANSMISSION OPERATION MANUAL	Eng & Trans Operation Man Eng Hard Copy/Trans Digital/Eng Owner Digital
8805-006	CAB/CHASSIS AS BUILT WIRING DIAGRAMS	Cab/Chassis As Built Wiring Diagrams Digital Copy
8039-001	SALES TERMS	Sales Terms
9005-003	DRIVELINE LAYOUT CONFIRMATION	Driveline Layout Confirmation Completed

2124-002 **EFCM/REAR CROSSMEMBERS**

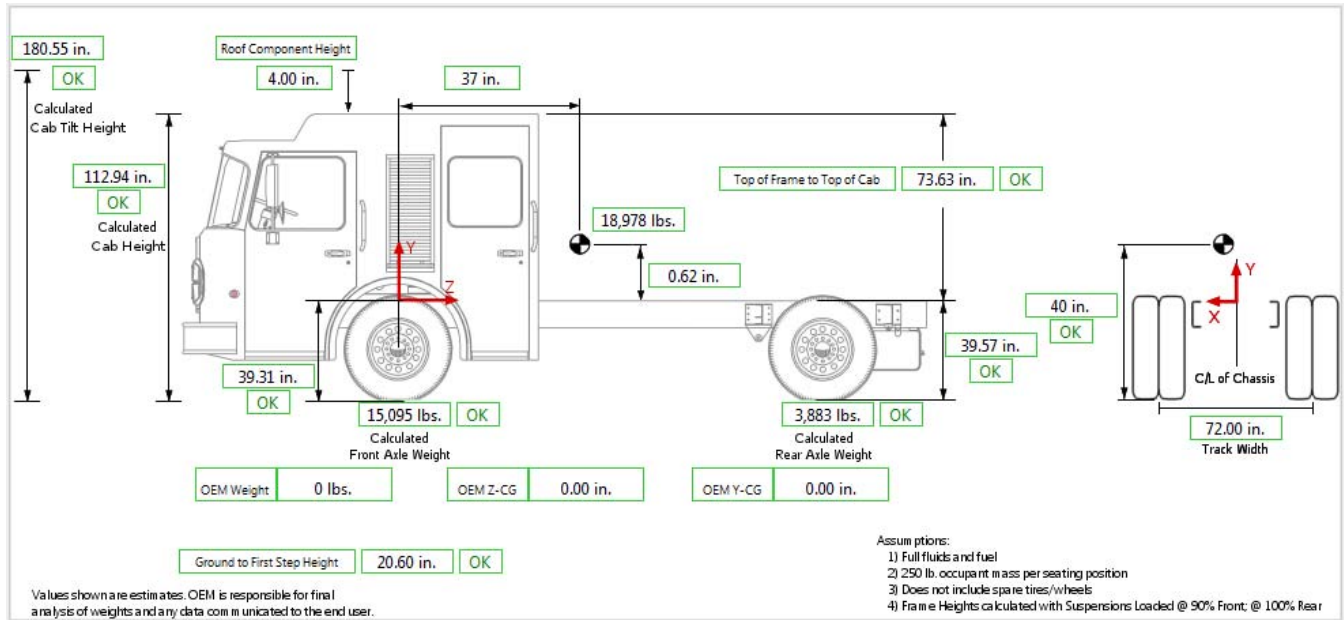
End of Frame Cross Member

Panel Visual Layout

5020-001 Panel Layout



Weight Distribution



Calculated Apparatus Weight 18,978 lbs.
 Calculated Apparatus Z-CG 37 in.
 Calculated Apparatus Y-CG 0.62 in.

Note:

The Y-CG value above is calculated from the top of the frame.
 Apparatus refers to total combined value for cab and chassis and OEM inputs.

Frame Dimensions

